

# External Battery User Manual

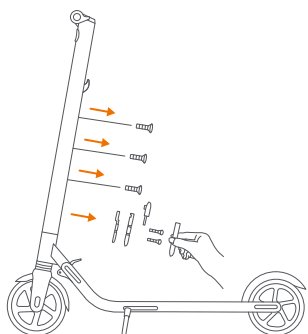
**ninebot<sup>®</sup>** KickScooter

by **SEGWAY**

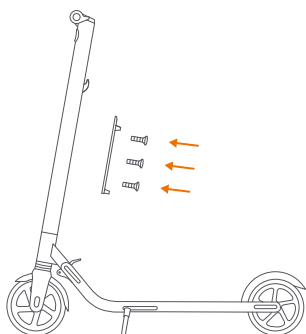
# 1 Installing a Second Battery Pack ⚠ Warning: please use the screws provided with this product only.

Follow these steps when installing a second battery pack:

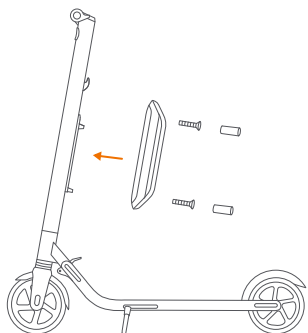
1. Remove the three screws on the stem, as shown. Then remove the cover near the charge port.



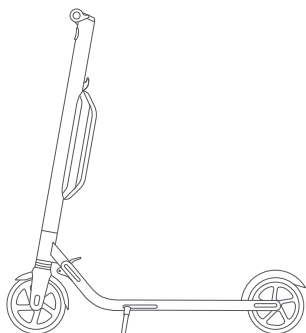
2. Install the rail with the M4 (10mm) screws (3 pcs), provided with this product. Please make sure it is properly fixed.



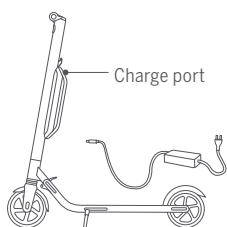
3. Install the external battery on the rail and fix it with the M4 (20mm) screws (2 pcs), provided with this product. After they are properly installed, block the screw holes with the rubber stopper.



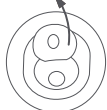
4. Verify that your KickScooter powers on and off.



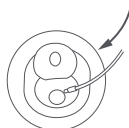
## 2 Charging



Charging step tips



Open the charge port cover.



Insert the charge plug.



Close the charge port cover when finished.

### ⚠ WARNING

Do not connect the charger if the charge port or charge cable is wet.

Your KickScooter is fully charged when the LED on the charger changes from red (charging) to green (trickle charge). Close the charge port cover when not charging.

## 3 Specifications

	Item	
External Battery	Nominal Voltage	36 VDC
	Max. Charging Voltage	42 VDC
	Charging Temperature	32–104°F (0–40°C)
	Nominal Capacity	187 Wh
	Battery Management System	Over-heating, short circuit, over-current and over-charge protection